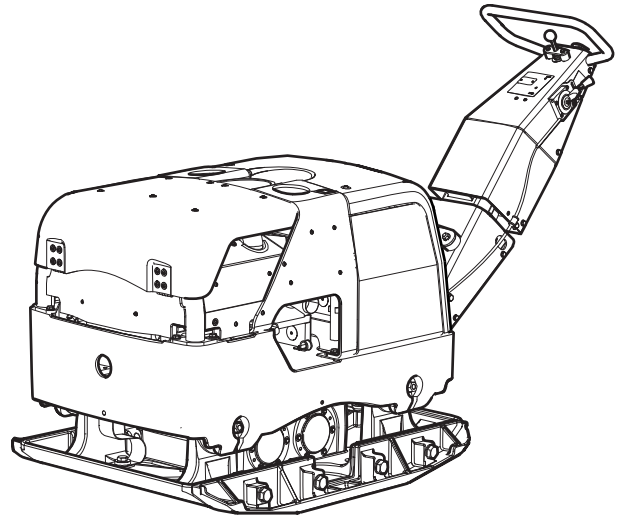


## Spare parts list

### Forward and reversible plate

	Valid from serial number
LH 700 Hatz Electric start 660 mm	70032001
LH 700 Hatz Electric start 660 mm Bio	70032001
LH 700 Hatz Electric start 810 mm	70032001
LH 700 Hatz Electric start 810 mm Bio	70032001
LH 700 Hatz Electric start 660 mm	BGF000001
LH 700 Hatz Electric start 660 mm Bio	BGF000001
LH 700 Hatz Electric start 810 mm	BGF000001
LH 700 Hatz Electric start 810 mm Bio	BGF000001





# Contents

General information.....	5
Spare parts list.....	6
Ground plate, engine plate and frame.....	6
Noise suppression.....	10
Hydraulic oil tank.....	12
Eccentric element.....	14
Engine installation.....	16
Hydraulic system.....	18
Hydraulic block.....	20
Electrical equipment.....	22
Electrical equipment, handle. (New version).....	24
Electrical equipment, handle. (Old version).....	26
Throttle control.....	28
Joystick.....	30
Handle.....	32
Labels.....	34
Kits.....	36
One year service kit.....	36
Shock absorber repair kit.....	36
Eccentric element repair kit.....	37
Forward and reverse piston repair kit.....	37
Extension plate kit 2 x 75 mm (2 x 2.95 in.).....	38
Extension plate kit 2 x 150 mm (2 x 5.90 in.).....	39
Hour meter kit.....	39



## General information

This spare parts list applies to the following:

Part number	Description
3382 0000 71	Forward and reversable plate LH 700 Hatz Electric start 660 mm (25.98 in.)
3382 0000 73	Forward and reversable plate LH 700 Hatz Electric start 660 mm (25.98 in.) Bio
3382 0001 33	Forward and reversable plate LH 700 Hatz Electric start 810 mm (31.89 in.) 660 mm plus 2 x 75 mm (25.98 in. plus 2 x 2.95 in.)
3382 0000 75	Forward and reversable plate LH 700 Hatz Electric start 810 mm (31.89 in.) Bio 660 mm plus 2 x 75 mm (25.98 in. plus 2 x 2.95 in.)

Use only authorized parts. Any damage or malfunction caused by the use of unauthorized parts is not covered by Warranty or Product Liability. Any unauthorized use or copying of the contents or any part thereof is prohibited. This applies in particular to trademarks, model denominations, part numbers, and drawings.

### Instructions for use

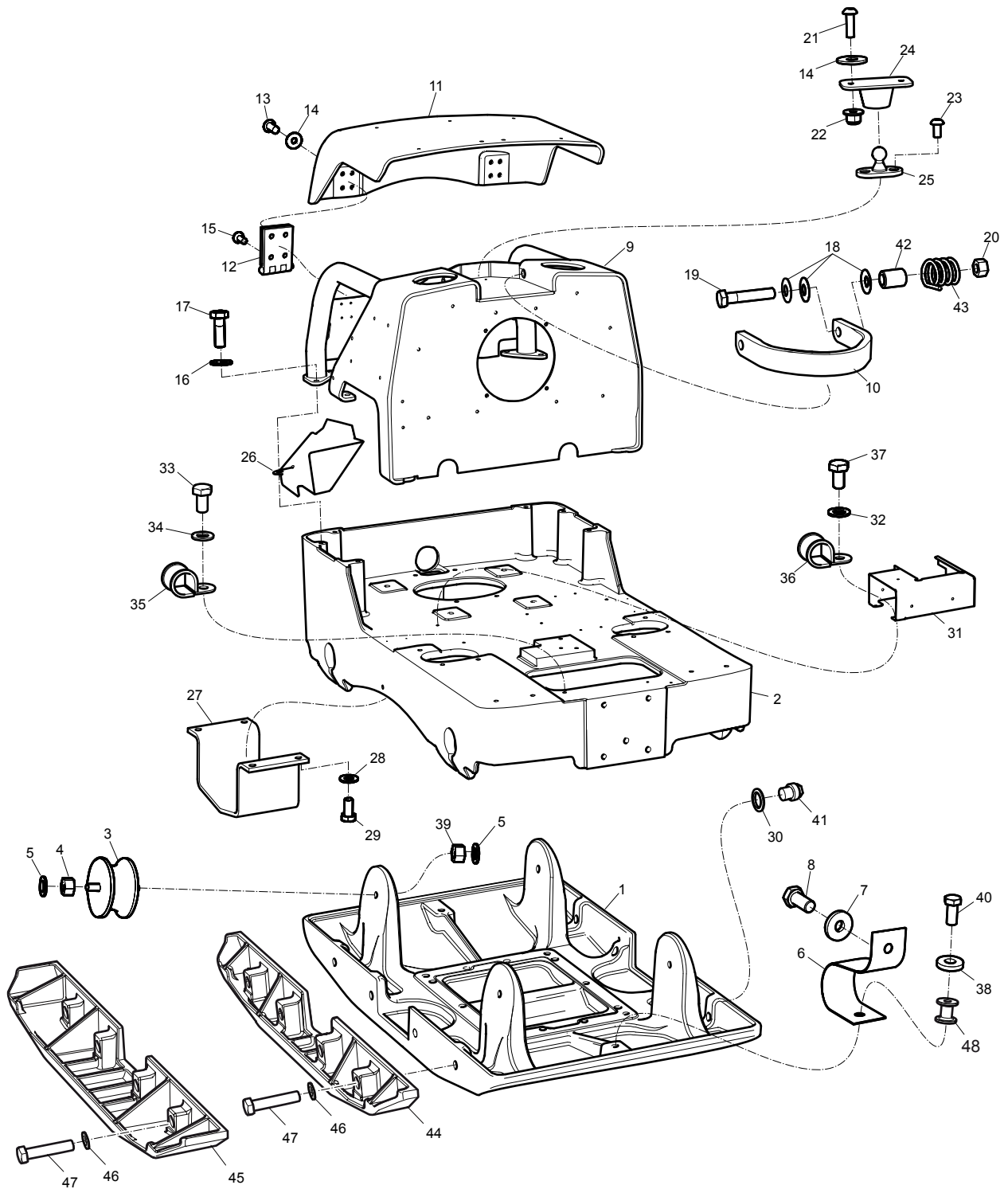
This spare parts list contains no safety regulations and is merely intended to assist in the ordering of spare parts.

For information about operating, servicing, or repairing, the relevant Safety and operating instructions must be consulted at all costs.

Please observe the safety instructions listed in the relevant Safety and operating instructions!

# Spare parts list

## Ground plate, engine plate and frame



No.	Description	Remark	Quantity	Part number
1	Ground plate		1	4700 3866 86
2	Engine plate		1	3382 0106 76
3	Shock absorber		4	4700 2815 90
4	Washer	17 x 30 x 3 mm 0.70 x 1.18 x 0.12 in. 300 HV	4	-
5	Nut	M16 A3K	8	-
6	Strap		2	3382 0107 17
7	Washer	13 x 36 x 6 mm 0.51 x 1.42 x 0.24 in. 300 HV	2	-
8	Screw	M12 x 40 mm 10.9 GEOMET®	2	4700 9476 86
9	Protective frame		1	3382 0106 89
10	Lifting lug		1	3382 0106 90
11	Hood		1	3382 0106 91
12	Hinge		2	4700 3818 82
13	Screw	M8 x 50 mm 12.9 UNBRAKO® U-130	8	4700 9046 50
14	Washer	6 x 18 x 2 mm 0.24 x 0.71 x 0.08 in. 300 HV	10	-
15	Screw	M6 x 16 mm A2-70	8	-
16	Washer	10.5 x 22 x 2 mm 0.41 x 0.87 x 0.08 in. 300 HV	8	-
17	Screw	M10 x 30 mm 10.9 GEOMET®	8	4700 9476 83
18	Washer	13 x 30 x 4 mm 0.51 x 1.18 x 0.16 in. 300 HV	6	-
19	Screw	M12 x 90 mm 8.8 A3K 2	2	4700 5001 97
20	Nut	M12	2	-
21	Screw	M5 x 16 mm A2-70	2	-
22	Nut	M5 A2K	2	-
23	Screw	M5 x 10 mm A2-70	2	-
24	Hood bumper		1	4700 4500 66
25	Hood bumper		1	4700 7911 69
26	Bracket		1	4700 2843 49
27	Bracket		1	4700 2843 14
28	Washer	10.5 x 22 x 2 mm 0.41 x 0.87 x 0.08 in. 300 HV	4	-
29	Screw	M10 x 20 mm 8.8 A3K	4	-
30	Seal ring		1	4700 1620 10
31	Air inlet		1	4700 3830 26
32	Washer	6.4 x 12 x 1.5 mm 0.25 x 0.47 x 0.06 in. 300 HV	4	-
33	Screw	M8 x 14 mm 8.8 A2K	1	-
34	Washer	8.4 x 16 x 1.5 mm 0.33 x 0.63 x 0.06 in. 300 HV	1	-
35	Clamp		1	4700 9607 27
36	Clamp		1	4700 9210 36
37	Screw	M6 x 16 mm 8.8 A2K	4	-
38	Washer	17 x 42 x 8 mm 0.67 x 1.66 x 0.31 in.	2	-
39	Washer	17 x 30 x 3 mm 0.70 x 1.18 x 0.12 in. 300 HV	4	-
40	Screw	M16 x 25 mm 8.8 A3K	2	-
41	Plug		1	4700 2322 46
42	Spacer		2	4700 3940 99
43	Spring		2	4700 3956 89
44	Extension plate	75 mm 2.95 in.	2	3382 0107 11

No.	Description	Remark	Quantity	Part number
45	Extension plate	150 mm 5.91 in.	2	4700 3820 77
46	Washer	21 x 36 x 3 mm 0.83 x 1.42 x 0.24 in. 300 HV	8	-
47	Screw	M20 x 90 mm 10.9 GEOMET®	8	4700 9252 08
48	Spacer sleeve		2	4700 3815 90

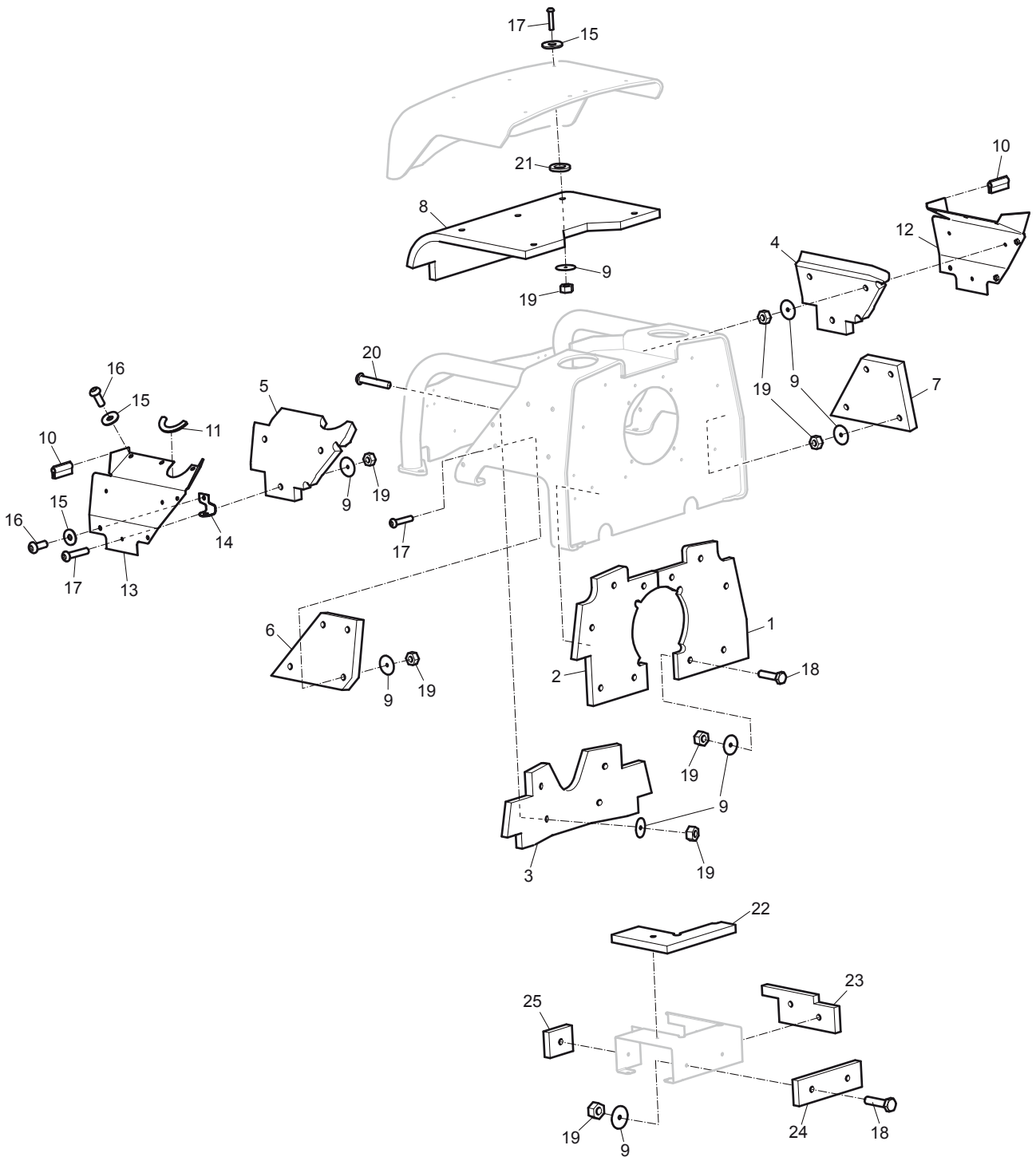
GEOMET is a registered trademark of Nof Metal Coatings North America Inc.

UNBRAKO is a registered trademark of Deepak Fasteners (Shannon) Limited.



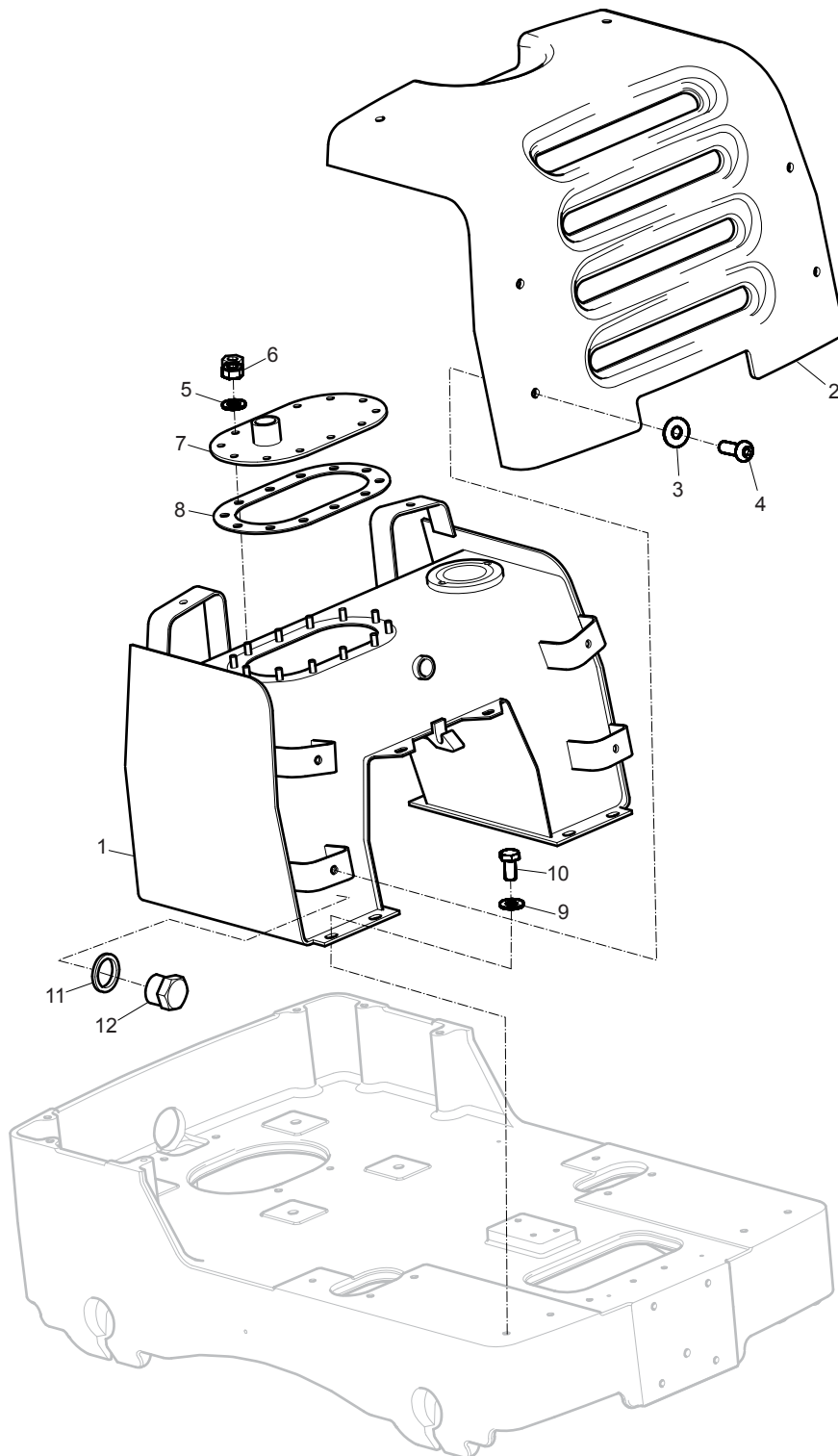


# Noise suppression



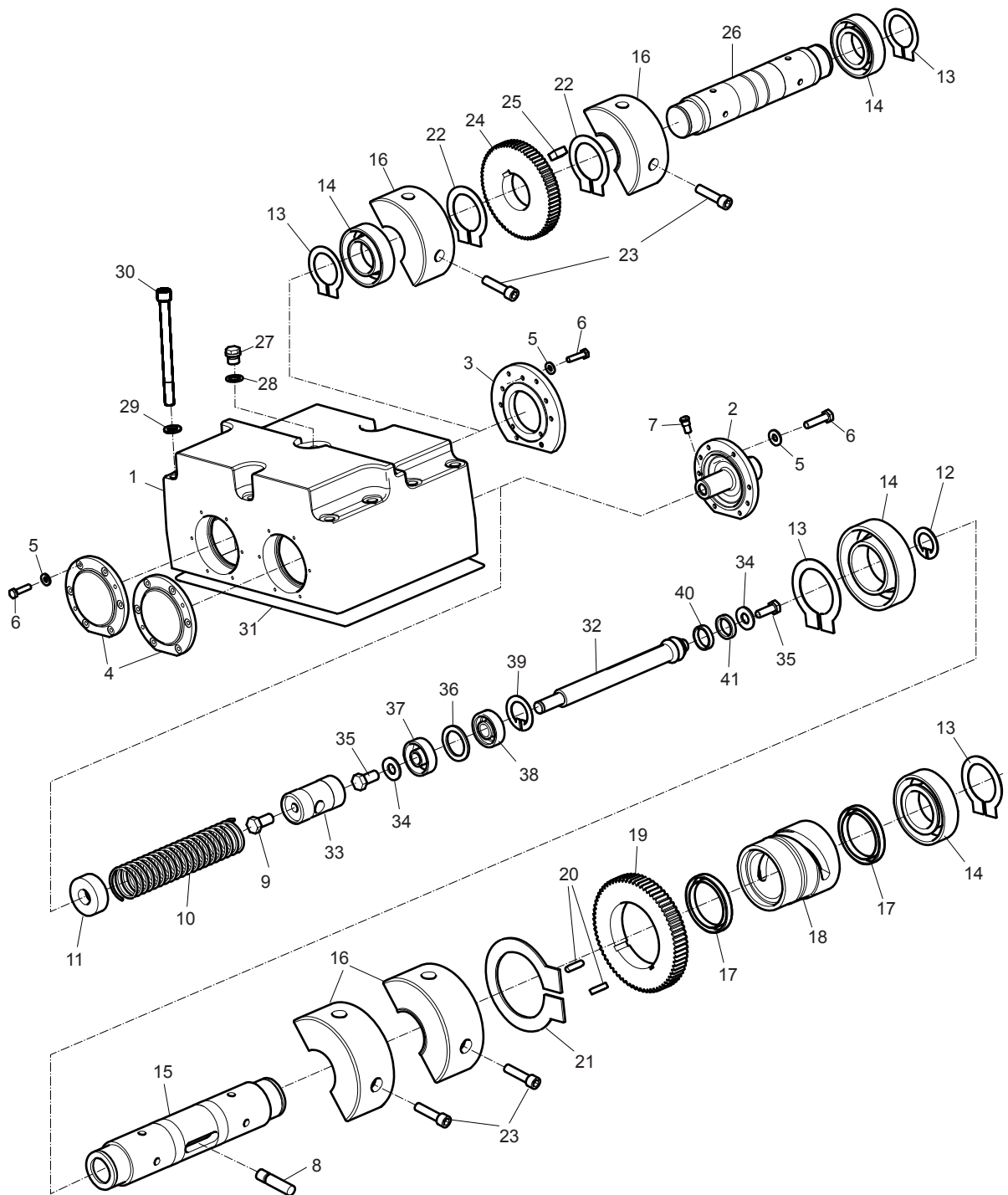
No.	Description	Remark	Quantity	Part number
1	Insulation		1	4700 3833 80
2	Insulation		1	4700 3833 79
3	Insulation		1	4700 3833 85
4	Insulation		1	4700 3833 83
5	Insulation		1	4700 3833 84
6	Insulation		1	4700 3833 81
7	Insulation		1	4700 3833 82
8	Insulation		1	4700 3833 98
9	Insulating washer	40 mm 1.57 in.	39	4700 3734 76
10	Edge trim	65 mm 2.56 in.	2	4700 9040 76
11	Edge trim	100 mm 3.94 in.	1	4700 2020 28
12	Plate		1	3382 0106 93
13	Plate		1	3382 0106 92
14	Bracket		2	4700 3829 11
15	Washer	6 x 18 x 2 mm 0.24 x 0.71 x 0.08 in. 300 HV	15	-
16	Screw	M6 x 16 mm A2-70	8	-
17	Screw	M6 x 30 mm A2-70	23	-
18	Screw	M6 x 25 mm 8.8 A2K	16	-
19	Nut	M6 A2K	39	-
20	Screw	M6 x 25 mm A2-70	4	-
21	Washer	6.4 x 12 x 1.5 mm 0.25 x 0.47 x 0.06 in. 300 HV	5	-
22	Insulation	Mounted on the air inlet	1	4700 3815 46
23	Insulation	Mounted on the air inlet	1	4700 3815 45
24	Insulation	Mounted on the air inlet	1	4700 3815 44
25	Insulation	Mounted on the air inlet	1	4700 3815 43

# Hydraulic oil tank



No.	Description	Remark	Quantity	Part number
1	Hydraulic oil tank		1	3382 0106 94
2	Hood		1	3382 0106 95
3	Washer	8.4 x 25 x 2 mm 0.33 x 0.99 x 0.08 in. 300 HV	6	-
4	Screw	M8 x 25 mm A2-70	6	-
5	Washer	8.4 x 16 x 1.5 mm 0.33 x 0.63 x 0.06 in. 300 HV	12	-
6	Nut	M8 A2K	12	-
7	Cover		1	3382 0106 96
8	Gasket		1	4700 2841 53
9	Washer	10.5 x 22 x 2 mm 0.41 x 0.87 x 0.08 in. 300 HV	8	-
10	Screw	M10 x 20 mm 8.8 A3K	8	-
11	Seal ring		1	4700 1620 19
12	Steel plug	Threaded	1	4700 9047 43

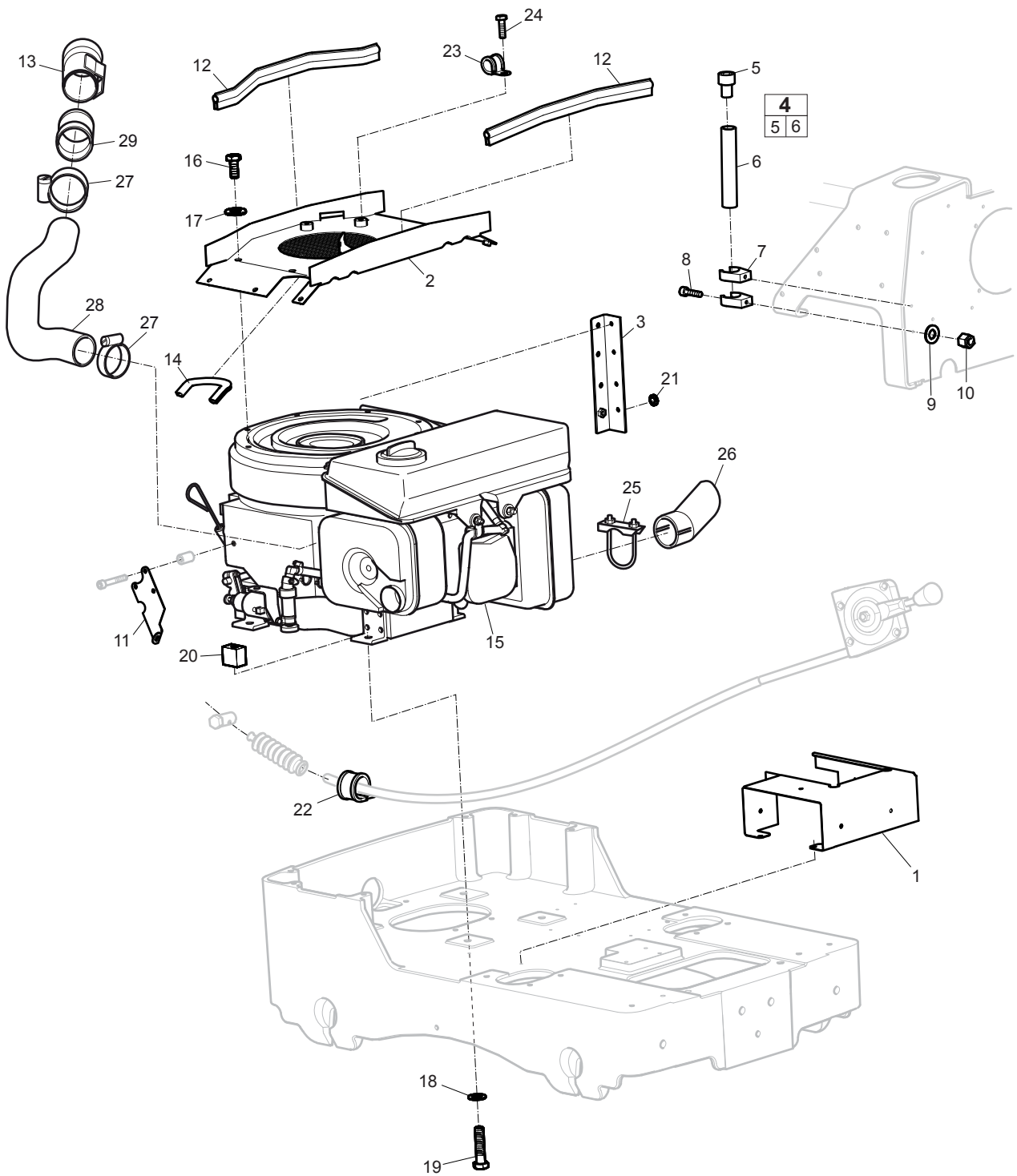
# Eccentric element



No.	Description	Remark	Quantity	Part number
1	Eccentric element		1	4700 3828 01
2	Cylinder		1	4700 2839 55
3	Cover		1	4700 2839 54
4	Cover		2	4700 2815 41
5	Washer	6.4 x 12 x 1.5 mm 0.25 x 0.47 x 0.06 in. 300 HV	25	-
6	Screw	M6 x 20 mm 8.8 A2K	25	-
7	Screw		1	4700 3801 55
8	Pin		1	4700 2815 49
9	Screw		1	4700 3814 43
10	Spring		1	4700 2815 56
11	Stop		1	4700 2815 55
12	Snap ring		1	4700 1510 11
13	Snap ring		4	4700 1500 20
14	Roller bearing		4	4700 9005 64
15	Shaft		1	4700 3817 67
16	Eccentric weight		4	4700 2815 42
17	Ball bearing		2	4700 9005 65
18	Sleeve		1	4700 2815 47
19	Gear		1	4700 2815 46
20	Key		2	4700 3500 31
21	Retaining ring		1	4700 9005 66
22	Snap ring		2	4700 1500 25
23	Screw	M12 x 50 mm 8.8 A3K	8	4700 5080 32
24	Gear		1	4700 2815 43
25	Key		1	4700 2815 44
26	Shaft		1	4700 3821 82
27	Plug		1	4700 2321 43
28	Washer	16.7 x 24 x 1.5 mm 0.66 x 0.94 x 0.06 in. TYPE A, M16	1	-
29	Washer	17 x 30 x 3 mm 0.70 x 1.18 x 0.12 in. 300 HV	14	-
30	Screw	M16 x 200 mm 10.9 GEOMET®	14	4700 9046 32
31	O-ring		1	4700 9049 23
32	Piston rod		1	4700 3817 66
33	Piston		1	4700 3817 78
34	Washer		2	4700 3817 83
35	Screw	M6 x 12 mm 8.8 A2K	2	-
36	Support ring		1	4700 9048 11
37	Ball bearing		1	4700 9287 97
38	Ball bearing		1	4700 1110 22
39	Retaining ring		1	4700 1510 08
40	Guide		1	4700 2815 02
41	Piston seal		1	4700 2815 01

GEOMET is a registered trademark of Nof Metal Coatings North America Inc.

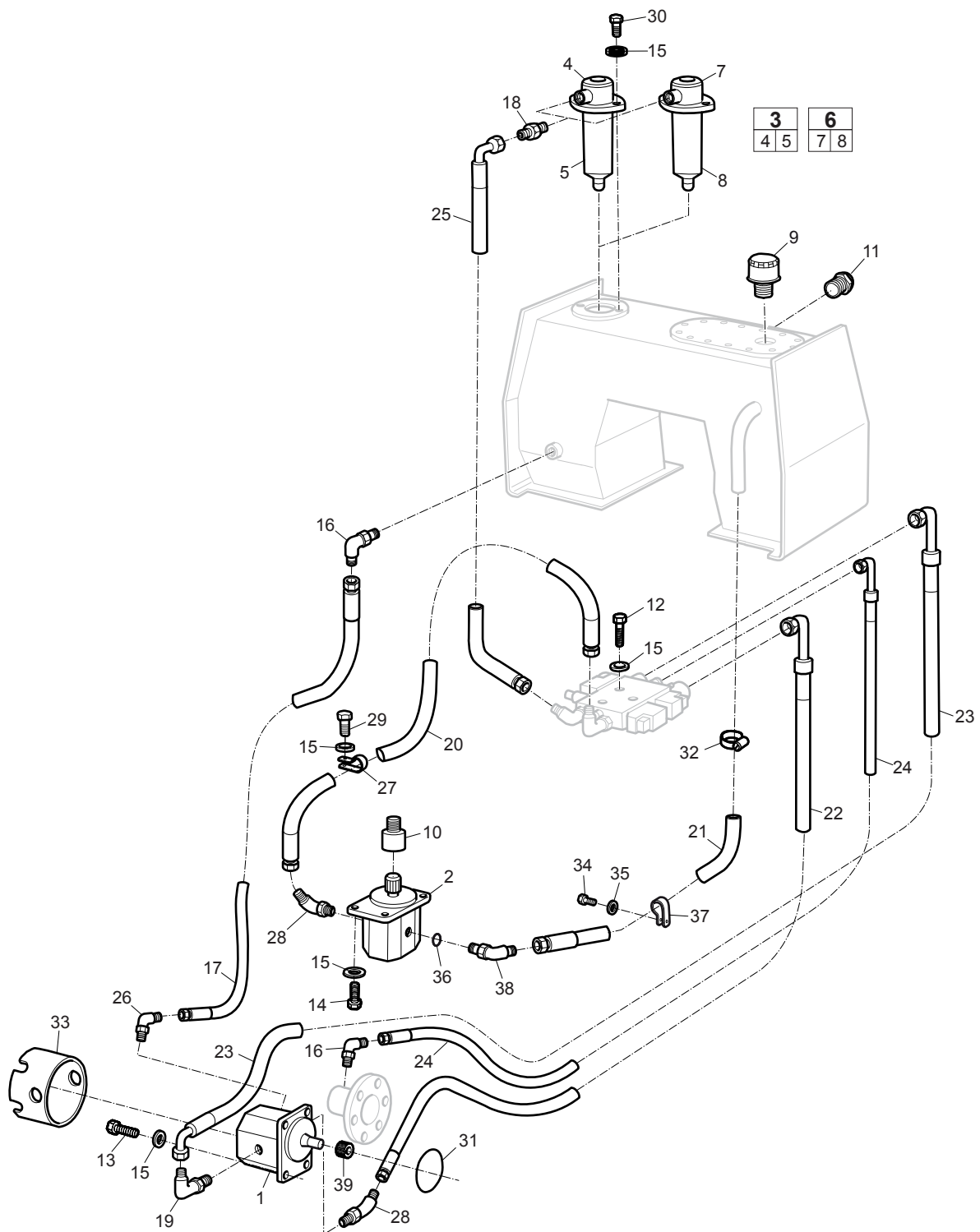
# Engine installation





No.	Description	Remark	Quantity	Part number
1	Air inlet		1	4700 3830 26
2	Cover		1	4700 3852 50
3	Bracket		1	4700 3861 87
<b>4(5-6)</b>	<b>Oil drain</b>		1	4700 2818 52
5	Hose connection		1	4700 2394 37
6	Hose	400 mm 15.75 in.	1	4700 2440 59
7	Ryw-clips		2	4700 2811 16
8	Screw	M5 x 20 mm 8.8 A2K	2	-
9	Washer	5.3 x 10 x 1 mm 0.21 x 0.39 x 0.04 in. 300 HV	2	-
10	Nut	M5 ISO7040	2	-
11	Bracket		1	4700 2812 28
12	Edge trim	440 mm 17.32 in.	2	4700 9040 76
13	Cyclone		1	4700 9383 10
14	Edge trim	140 mm 5.51 in.	1	4700 2020 28
15	Engine	Hatz 1D90V	1	4700 3791 00
16	Screw	M10 x 16 mm 8.8 A3K	8	-
17	Washer	10.5 x 22 x 2 mm 0.41 x 0.87 x 0.08 in. 300 HV	8	-
18	Washer	13 x 24 x 2 mm 0.51 x 0.94 x 0.08 in. 300 HV	4	-
19	Screw	M12 x 50 mm 8.8 A3K	4	-
20	Spacer	6.4 x 12 x 1.5 mm 0.25 x 0.47 x 0.06 in. 300 HV	4	-
21	Washer	6.4 x 12 x 1.5 mm 0.25 x 0.47 x 0.06 in. 300 HV	6	-
22	Clamp		1	4700 9036 70
23	Clamp		1	4700 9210 39
24	Screw	M6 x 20 mm 8.8 A2K	1	-
25	Clamp		1	4700 3131 00
26	Exhaust pipe		1	4700 3831 17
27	Hose clamp		2	4700 3130 10
28	Air hose		1	4700 9049 53
29	Steel tube		1	4700 3833 12

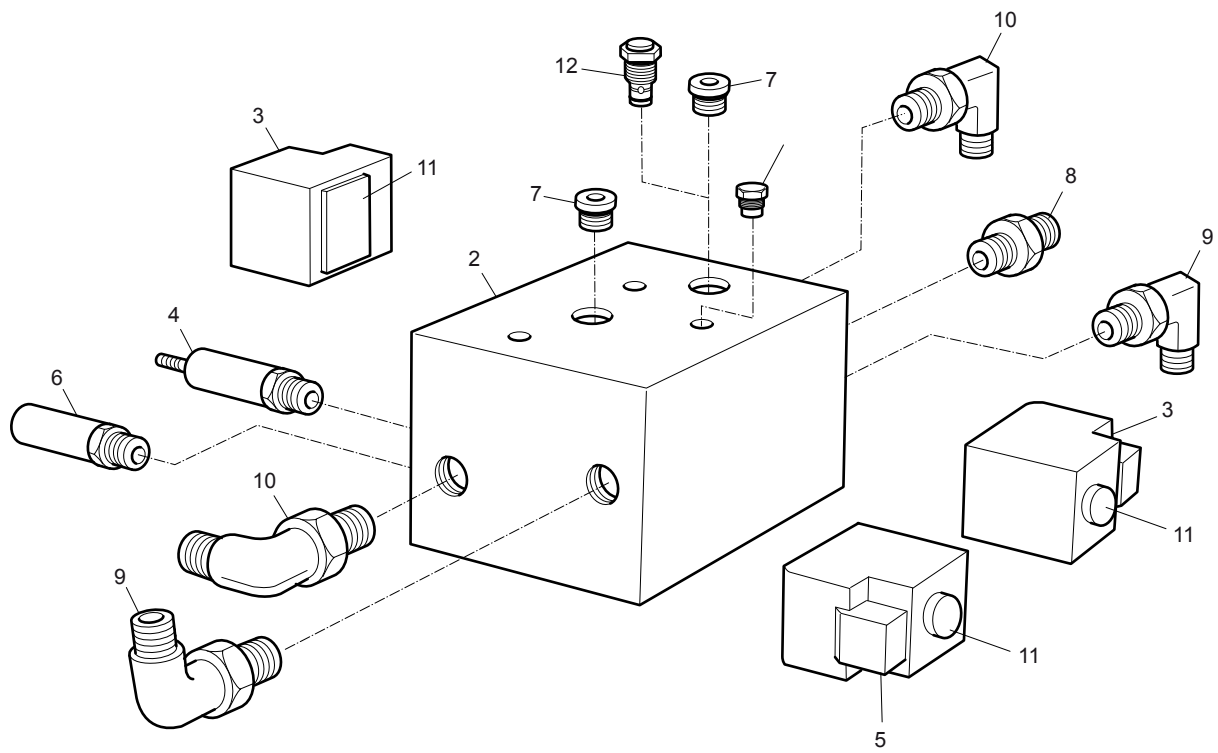
# Hydraulic system



No.	Description	Remark	Quantity	Part number
1	Hydraulic motor		1	4700 3806 47
2	Hydraulic pump		1	4700 3806 46
<b>3(4-5)</b>	<b>Hydraulic oil filter, complete</b>		1	4700 2841 79
4	Housing		1	-
5	Filter element		1	4700 3815 52
<b>6(7-8)</b>	<b>Hydraulic oil filter, complete</b>	For biodegradable oil.	1	4700 3815 51
7	Housing		1	-
8	Filter element	For biodegradable oil.	1	4700 3815 53
9	Ventilating filter		1	4700 3571 38
10	Splined sleeve		1	4700 9395 18
11	Level glass		1	4700 4991 27
12	Screw	M8 x 100 mm 8.8 A2K	3	-
13	Screw	M8 x 25 mm 8.8 A2K	4	-
14	Screw	M8 x 45 mm 8.8 A2K	4	-
15	Washer	8.4 x 16 x 1.5 mm 0.33 x 0.63 x 0.06 in. 300 HV	14	-
16	Elbow	90°	2	4700 2344 81
17	Hydraulic hose		1	4700 3803 84
18	Adapter		1	4700 3342 15
19	Elbow	45°	1	4700 2344 80
20	Hydraulic hose		1	3382 0107 12
21	Hydraulic hose		1	4700 3809 27
22	Hydraulic hose		1	4700 4832 11
23	Hydraulic hose		1	4700 3815 29
24	Hydraulic hose		1	4700 4821 00
25	Hydraulic hose		1	4700 3809 40
26	Connector		1	4700 3342 03
27	Clamp		1	4700 9607 27
28	Elbow	90°	2	4700 9047 44
29	Screw	M8 x 16 mm 8.8 A3K	1	-
30	Screw	M8 x 20 mm 8.8 A2K	2	-
31	O-ring	79,5 x 3 mm 3.13 x 0.12 in. (Shore 70)	1	4700 1600 31
32	Hose clamp		2	4700 9022 95
33	Protection		1	4700 3809 45
34	Screw	M10 x 16 mm 8.8 A3K	1	-
35	Washer	10.5 x 22 x 2 mm 0.41 x 0.87 x 0.08 in. 300 HV	1	-
36	Washer sealing	26,7x35x2 mm 1.05x1.38x0.08 in. Type A	1	4700 1620 28
37	Pipe clamp		1	4700 9211 19
38	Adapter		1	4700 3809 41
39	Splined sleeve		1	4700 2841 13

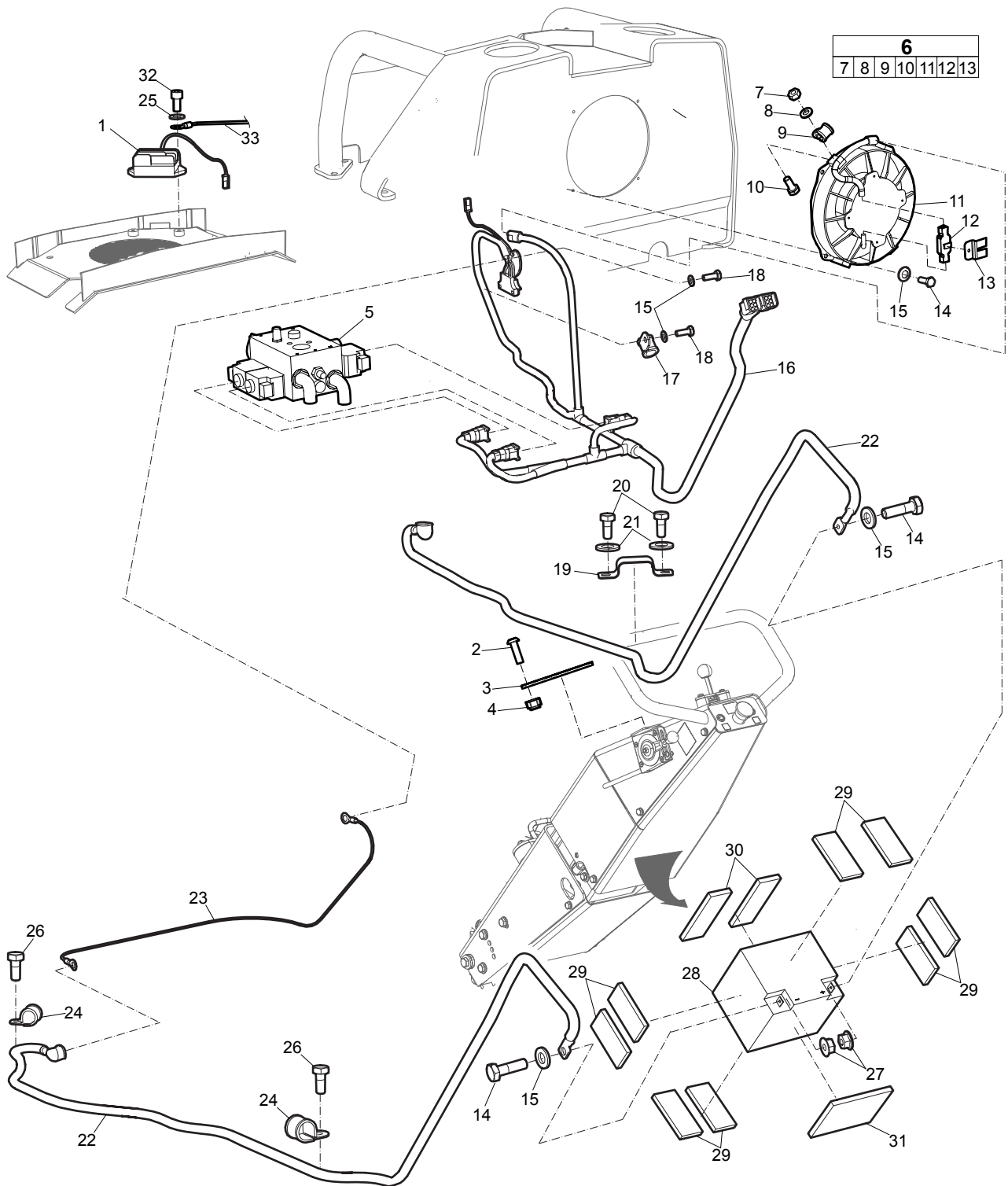
# Hydraulic block

<b>1</b>											
2	3	4	5	6	7	8	9	10	11	12	



No.	Description	Remark	Quantity	Part number
1(2-12)	Hydraulic block, complete		1	4700 3810 62
2	Block		1	4700 9376 95
3	Valve	Forward/Reverse	2	4700 9376 61
4	Pressure valve	Relief valve, 55 bar	1	4700 9376 96
5	Valve	Vibration On/Off	1	4700 9376 97
6	Pressure valve	Relief valve, vibration, 180 bar	1	4700 9376 98
7	Plug		2	4700 9376 99
8	Connector		1	4700 3341 44
9	Elbow	90°	2	4700 3342 38
10	Elbow		2	4700 2349 93
11	Electromagnet	12V DC	3	4700 9377 00
12	Non return valve		1	4700 9381 42

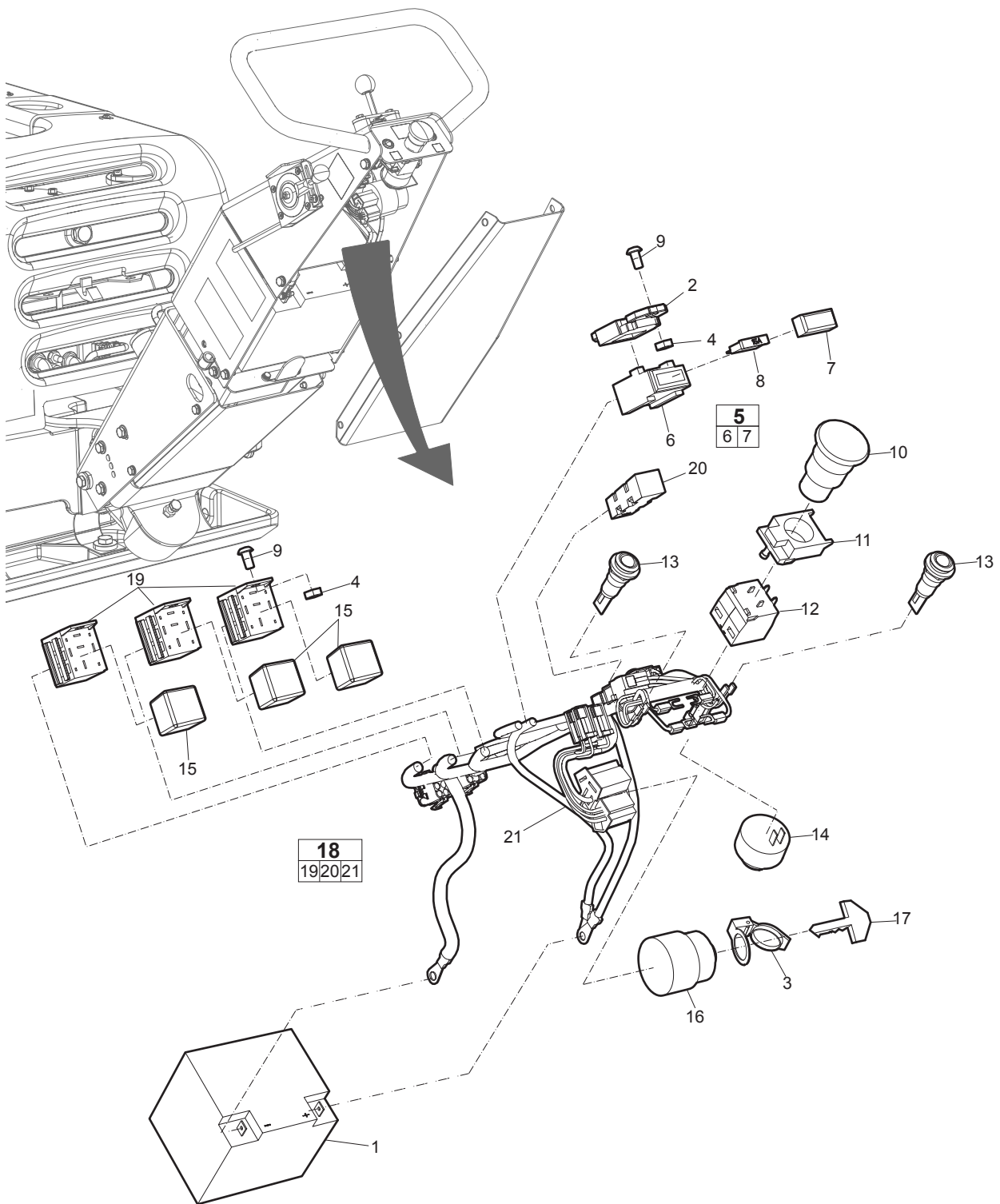
# Electrical equipment



No.	Description	Remark	Quantity	Part number
1	Voltage regulator		1	4700 3861 86
2	Screw	M3 x 10 mm 8.8 A2-70	2	-
3	Cover		1	4700 3768 67
4	Nut	M3 DIN985	2	-
5	Hydraulic block	See section "Hydraulic equipment"	1	-
<b>6(7-13)</b>	<b>Cooling fan, complete</b>		1	4700 3862 87
7	Nut	M6 A2K	1	-
8	Washer	6.4 x 12 x 1.5 mm 0.25 x 0.47 x 0.06 in. 300 HV	1	-
9	Pipe clamp		1	4700 9210 39
10	Screw	M6 x 14 mm 8.8 A2K	1	-
11	Fan		1	-
12	Connector		1	-
13	Bracket		1	1313 1313 13
14	Screw	M6 x 20 mm 8.8 A2K	6	-
15	Washer	6.4 x 12 x 1.5 mm 0.25 x 0.47 x 0.06 in. 300 HV	8	-
16	Wiring harness		1	4700 3861 73
17	Pipe clamp		3	4700 9210 39
18	Screw	M6 x 16 mm 8.8 A2K	2	-
19	Clamp		3	4700 9211 82
20	Screw	M5 x 14 mm 8.8 A2K	6	-
21	Washer	5.3 x 10 x 1 mm 0.21 x 0.39 x 0.04 in. 300 HV	6	-
22	Connection cable		2	4700 7919 79
23	Connection cable		1	4700 7920 40
24	Pipe clamp		2	4700 9210 31
25	Washer	8.4 x 16 x 1.5 mm 0.33 x 0.63 x 0.06 in. 300 HV	2	-
26	Screw	M6 x 14 mm 8.8 A2K	2	-
27	Nut	M6 GEOMET®	2	4700 5701 01
28	Battery	See section "Electric equipment, handle"	1	-
29	Battery insulation		8	4700 3815 33
30	Battery insulation		2	4700 3809 48
31	Battery insulation		1	4700 3809 51
32	Screw	M8 x 16 mm 8.8 A3K	2	-
33	Ground cable		1	4700 3832 92

GEOMET is a registered trademark of Nof Metal Coatings North America Inc.

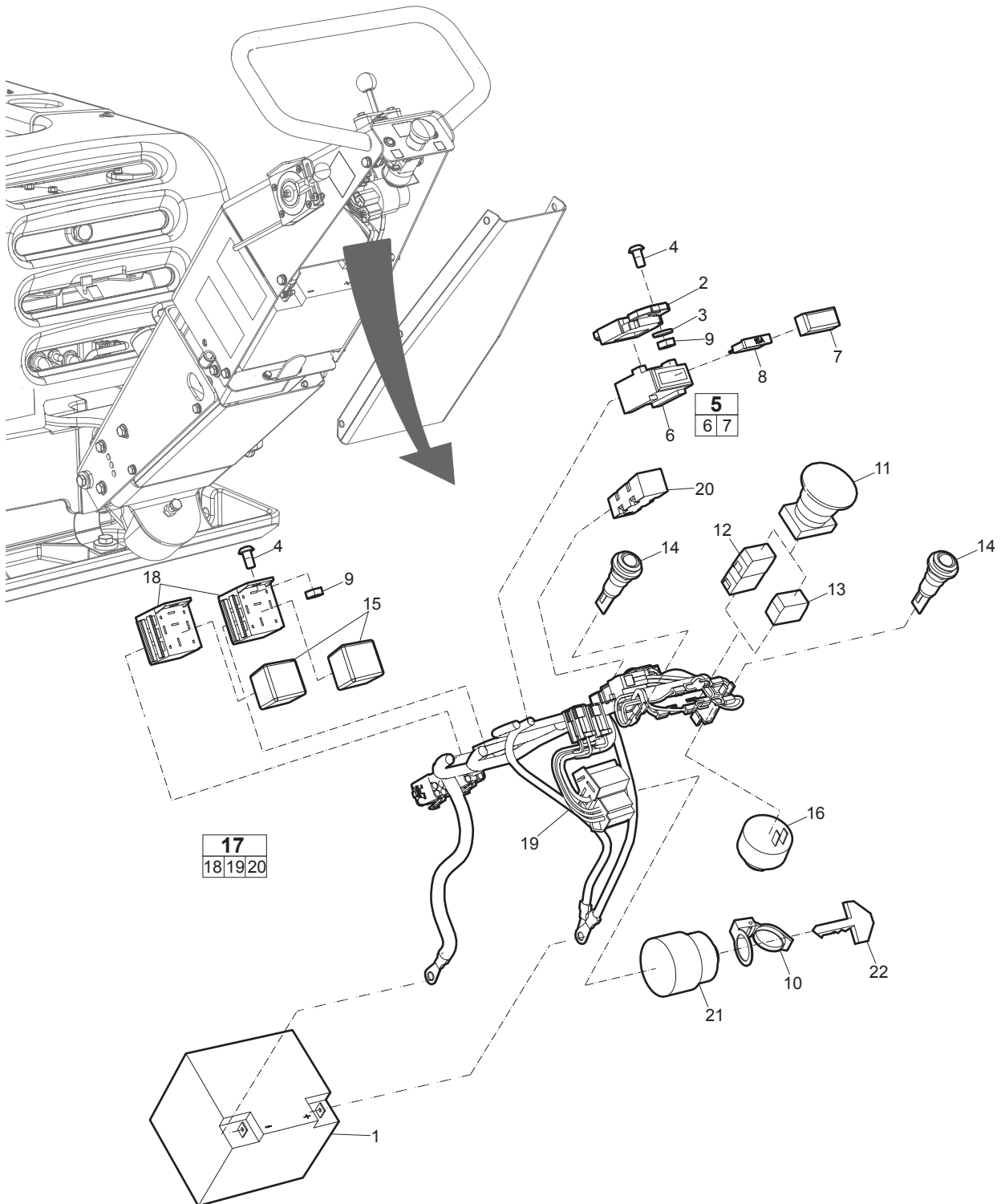
# Electrical equipment, handle. (New version)





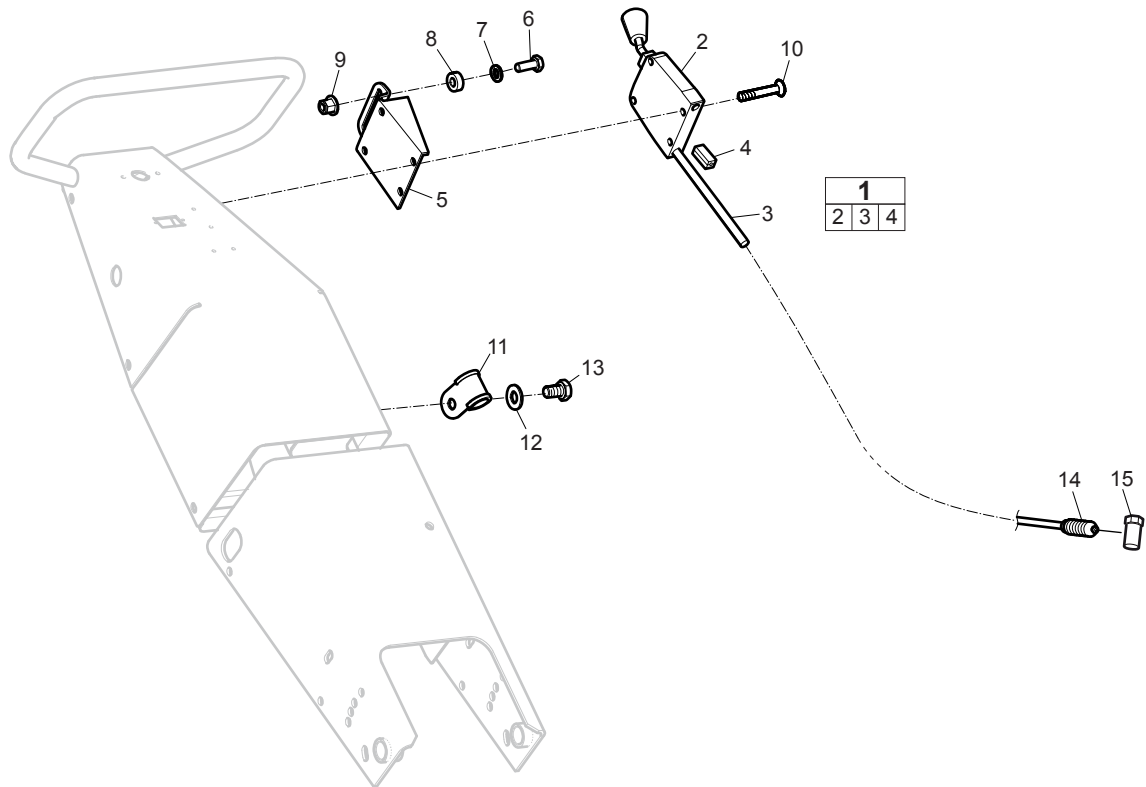
No.	Description	Remark	Quantity	Part number
1	Battery		1	4700 3911 37
2	Bracket		1	4700 9040 36
3	Dust cover		1	4700 9044 28
4	Nut	M5 A2K	5	-
<b>5(6-7)</b>	<b>Fuse holder, complete</b>		1	4700 7910 14
6	Fuse holder		1	-
7	Cover		1	4700 9403 13
8	Fuse	15A	1	4700 9012 28
9	Screw	M5 x 10 mm A2-70	5	-
10	Push button		1	3382 0107 66
11	Bracket		1	3382 0107 67
12	Contact piece		1	3382 0107 68
13	LED-diode		2	4700 7910 58
14	Buzzer		1	4700 3855 99
15	Relay		3	4700 2814 57
16	Ignition switch		1	4700 2381 58
17	Ignition key		1	4700 2382 36
<b>18(19-21)</b>	<b>Wiring harness, complete</b>		1	3382 0107 65
19	Relay bracket		3	4700 3575 62
20	Diode		1	4700 7910 60
21	Wiring harness		1	-

# Electrical equipment, handle. (Old version)



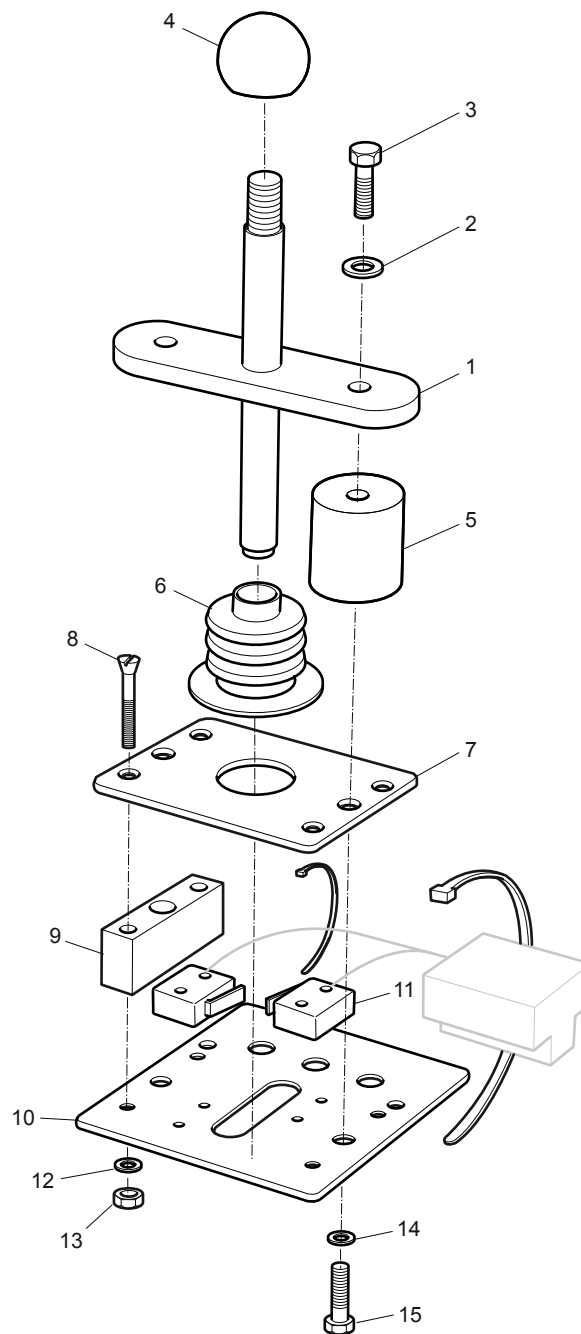
No.	Description	Remark	Quantity	Part number
1	Battery		1	4700 3911 37
2	Bracket		1	4700 9040 36
3	Washer	5.3 x 10 x 1 mm 0.21 x 0.39 x 0.04 in. 300 HV	2	-
4	Screw	M5 x 10 mm A2-70	4	-
<b>5(6-7)</b>	<b>Fuse holder, complete</b>		1	4700 7910 14
6	Fuse holder		1	-
7	Cover		1	4700 9403 13
8	Fuse	15 A	1	4700 9012 28
9	Nut	M5 A2K	4	-
10	Dust cover		1	4700 9044 28
11	Push button		1	4700 9302 00
12	Contact piece	Marked "NC"	1	4700 9301 54
13	Contact piece	Marked "NO"	1	4700 9301 63
14	Led-diode		2	4700 7910 58
15	Relay		2	4700 2814 57
16	Buzzer		1	4700 3855 99
<b>17(18-20)</b>	<b>Wiring harness, complete</b>		1	4700 3768 98
18	Relay holder		2	4700 2875 99
19	Wiring harness		1	-
20	Diode		1	4700 7910 60
21	Ignition switch		1	4700 2381 58
22	Ignition key		1	4700 2382 36

# Throttle control



No.	Description	Remark	Quantity	Part number
1(2-4)	<b>Throttle control, complete</b>		1	4700 3809 47
2	Throttle handle		1	4700 4550 19
3	Throttle wire		1	4700 2864 48
4	Square nipple		1	4700 2384 43
5	Bracket		1	4812 0701 15
6	Screw	M6 x 20 mm 8.8 A2K	1	-
7	Washer	6.4 x 12 x 1.5 mm 0.25 x 0.47 x 0.06 in. 300 HV	2	-
8	Spacer		1	4700 3944 17
9	Nut	M6 x 1 mm A2K	1	-
10	Screw	M5 x 30 mm A2-70	4	-
11	Clamp		1	4700 9210 72
12	Washer	8.4 x 16 x 1.5 mm 0.33 x 0.63 x 0.06 in. 300 HV	1	-
13	Screw	M8 x 14 mm 8.8 A2K	1	-
14	Rubber belows		1	4700 3813 88
15	Nipple		1	4700 2812 36

# Joystick



No.	Description	Remark	Quantity	Part number
1	Lever		1	4700 3821 90
2	Washer		2	4700 9042 28
3	Screw	M6 x 10 mm 8.8 A2K	2	-
4	Handle grip		1	4700 3120 01
5	Shock absorber		2	4700 3822 04
6	Bellows		1	4700 3821 97
7	Bracket		1	4700 3821 88
8	Screw	M3 x 20 mm 4.8 A2K	4	-
9	Spacer		2	4700 3821 85
10	Baracket		1	4700 3821 86
11	Micro switch		2	4700 3842 67
12	Washer		4	4700 9046 97
13	Nut	M3 A2K	4	-
14	Washer		2	4700 9042 28
15	Screw	M6 x 22 mm 8.8 A2K	2	4700 5000 14

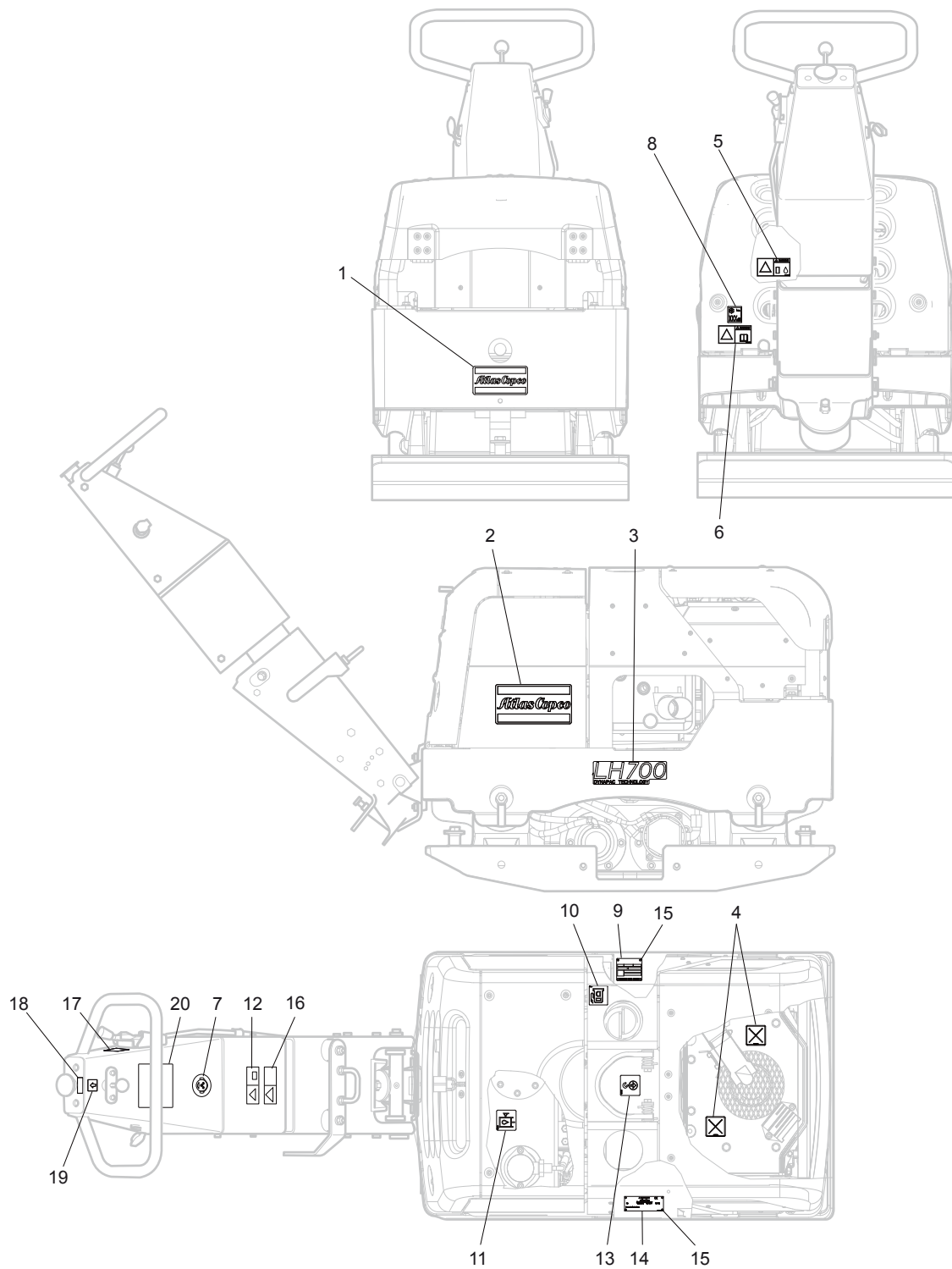




No.	Description	Remark	Quantity	Part number
1	Handle	Lower part	1	3382 0106 86
2	Handle	Upper part	1	3382 0106 87
3	Cover		1	4700 2843 20
4	Shock absorber		2	4700 2814 31
5	Shock absorber		4	3382 0107 14
6	Shaft		1	4700 3775 74
7	Screw	M12 x 20 mm 8.8 A3K	1	-
8	Washer	13 x 30 x 4 mm 0.51 x 1.18 x 0.16 in. 300 HV	1	-
9	Lever		1	4700 2843 29
10	Stirrup		1	4700 2843 30
11	Washer	13 x 24 x 2 mm 0.51 x 0.94 x 0.08 in. 300 HV	4	-
12	Washer	10.5 x 22 x 2 mm 0.41 x 0.87 x 0.08 in. 300 HV	20	-
13	Screw	M10 x 16 mm 8.8 A3K	8	-
14	Screw	M12 x 35 mm 10.9 GEOMET®	4	4700 9476 88
15	Washer	8.4 x 16 x 1.5 mm 0.33 x 0.63 x 0.06 in. 300 HV	10	-
16	Screw	M8 x 16 mm 8.8 A2K	10	-
17	Nut	M10 A3K	8	-
18	Cover		1	4700 2843 39
19	Edge trim	160 mm 6.30 in.	2	4700 2877 24
20	Edge trim	140 mm 5.51 in.	1	4700 9023 79
21	Bracket		1	3382 0106 88
22	Bracket		1	4700 3861 94
23	Screw	M10 x 30 mm 8.8 A3K	4	-
24	Shock absorber		1	4700 9048 84
25	Spacer		1	4700 8212 55
26	Nut	M12 GEOMET®	2	-
27	Screw	M12 x 80 mm 8.8 A3K	1	-
28	Retainer		1	4700 2843 64
29	Screw	M6 x 16 mm 8.8 A2K	2	-
30	Nut	6.4 x 12 x 1.5 mm 0.25 x 0.47 x 0.06 in. 300 HV	2	-
31	Grease fitting		1	4700 9262 14

GEOMET is a registered trademark of Nof Metal Coatings North America Inc.

# Labels



No.	Description	Remark	Quantity	Part number
1	Product label	"Atlas Copco"	1	3382 0101 75
2	Product label	"Atlas Copco"	2	3382 0100 22
3	Product label	"LH 700"	2	3382 0107 02
4	Safety label	Engine wash prohibited	2	4700 3889 66
5	Safety label	Rotating engine components	1	4700 9034 23
6	Safety label	Lock handle	1	4700 7913 66
7	Label	Use ear protectors	1	4700 2818 98
8	Noise level		1	4700 7912 97
9	Engine information label		1	-
10	Label	Diesel	1	4700 3813 71
11	Label	Hydraulic oil level	1	4700 2723 73
12	Safety label	Instruction manual	1	4700 9046 80
13	Lifting point		1	4700 3575 87
14	Data plate		1	-
15	Drive screw		8	-
16	Safety label	Crush zone	1	4700 9047 85
17	Label	Engine speed	1	4700 2842 85
18	Label	Vibration On/Off	1	4700 1124 06
19	Label	Direction	2	4700 2842 78
20	Label	Starting instruction	1	4700 3889 67

## Kits

### One year service kit

#### One year service kit

Part number 3382 1000 72

Description	Remark	Quantity	Part number
Air filter		5	4700 2394 23
Fuel filter		5	4700 9374 30
Gasket	For valve cover.	1	4700 2393 33
O-ring	For oil filter cover.	1	4700 2393 35
O-ring	For oil filter plug.	1	4700 9454 25
Oil filter		5	4700 2393 26

### Shock absorber repair kit

Description	Remark	Quantity	Part number
<b>Shock absorber repair kit</b>		1	4812 1555 70
Shock absorber	For ground plate. See section "Ground plate, engine plate and frame".	4	4700 2815 90
Nut	M16 A3K See section "Ground plate, engine plate and frame".	4	4700 5700 08
Washer	17 x 30 x 3 mm 0.70 x 1.18 x 0.12 in. 300 HV See section "Ground plate, engine plate and frame".	4	4700 9042 32
Shock absorber	See section "Handle".	4	3382 0107 14
Shock absorber	See section "Handle".	2	4700 2814 31
Shock absorber	See section "Handle".	1	4700 9048 84
Washer	See section "Handle".	12	4700 9042 30
Nut	See section "Handle".	4	4700 5700 06
Screw	See section "Handle".	8	4700 5000 43

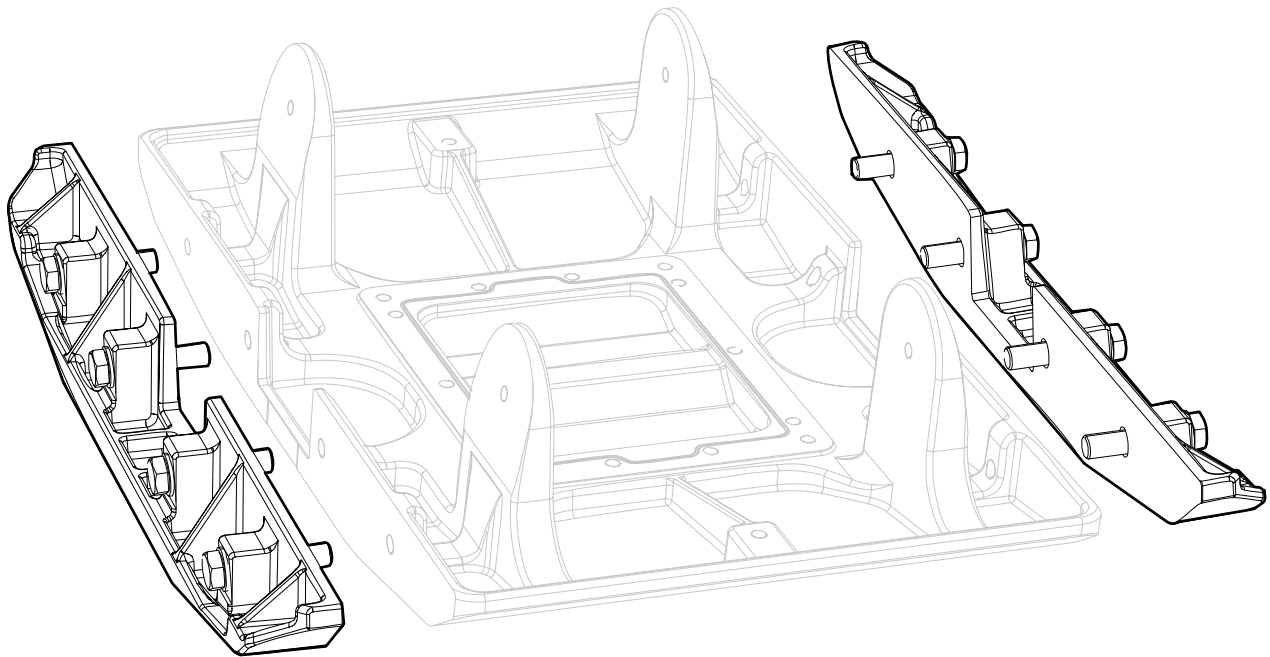
## Eccentric element repair kit

Description	Remark	Quantity	Part number
<b>Eccentric element repair kit</b>		1	3382 1000 73
Ball bearing	See section "Eccentric element".	4	4700 9005 64
Ball bearing	See section "Eccentric element".	2	4700 9005 65
Screw	M6 x 20 mm 8.8 A2K	20	-
Washer	6.4 x 12 x 1.5 mm 0.25 x 0.47 x 0.06 in. 300 HV	20	-
Washer	16.7 x 24 x 1.5 mm 0.66 x 0.94 x 0.06 in. TYPE A,M16	1	-
O-ring	See section "Eccentric element".	1	-
Washer	8.4 x 16 x 1.5 mm 0.33 x 0.63 x 0.06 in. 300 HV	4	-
Screw	M8 x 25 mm 8.8 A2K	4	-

## Forward and reverse piston repair kit

Description	Remark	Quantity	Part number
<b>Forward and reverse piston repair kit</b>		1	4812 1555 69
Piston	See section "Hydraulic cylinder".	1	4700 3817 78
Back-up ring	See section "Hydraulic cylinder".	1	4700 9048 11
Bearing	See section "Hydraulic cylinder".	1	4700 9287 97
Deep groove ball bearing	See section "Hydraulic cylinder".	1	4700 1110 22
Piston rod	See section "Hydraulic cylinder".	1	4700 3817 66
Guide	See section "Hydraulic cylinder".	1	4700 2815 02
Piston sealing	See section "Hydraulic cylinder".	1	4700 2815 01
Cylinder	See section "Hydraulic cylinder".	1	4700 2839 55
Stop screw	See section "Hydraulic cylinder".	1	4700 3801 55

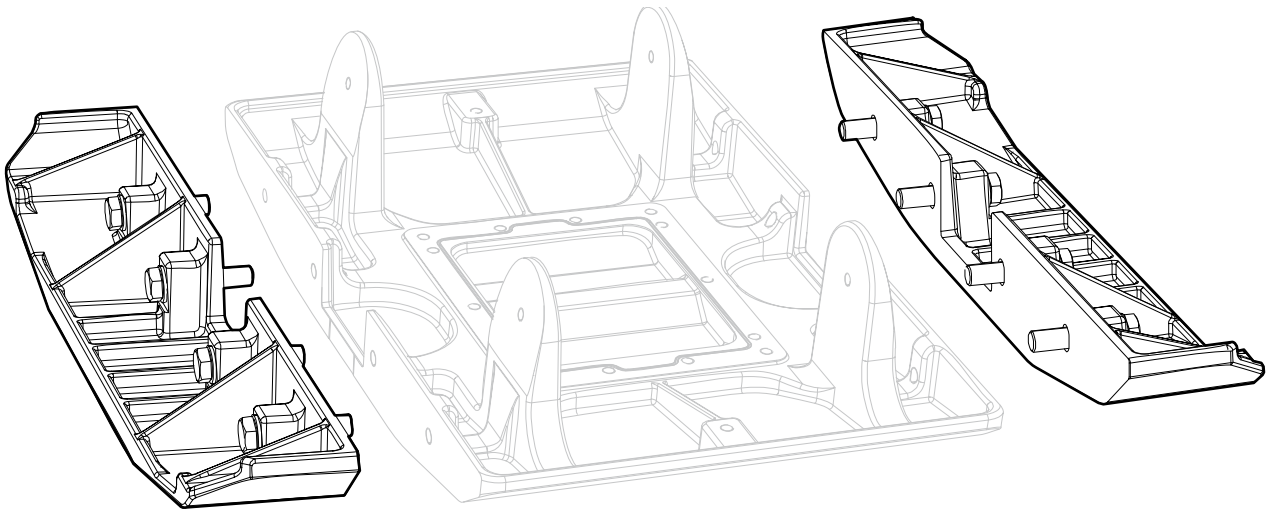
## Extension plate kit 2 x 75 mm (2 x 2.95 in.)



Description	Remark	Quantity	Part number
<b>Extension plate kit 2 x 75 mm (2 x 2.95 in.)</b>		1	4700 3820 11
Extension plate	75 mm 2.95 in.	2	-
Washer	21 x 36 x 3 mm 0.83 x 1.42 x 0.24 in. 300 HV	8	-
Screw	M20 x 90 mm 10.9 GEOMET®	8	4700 9252 08

GEOMET is a registered trademark of Nof Metal Coatings North America Inc.

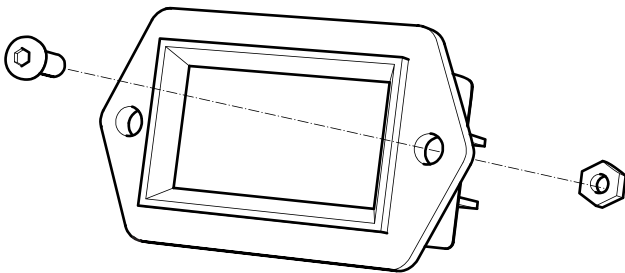
## Extension plate kit 2 x 150 mm (2 x 5.90 in.)



Description	Remark	Quantity	Part number
<b>Extension plate kit 2 x 150 mm (2 x 5.90 in.)</b>		1	4700 3820 12
Extension plate	150 mm 5.90 in.	2	-
Screw	M20 x 90 mm 10.9 GEOMET®	8	4700 9252 08
Washer	21 x 36 x 3 mm 0.83 x 1.42 x 0.24 in. 300 HV	8	-

GEOMET is a registered trademark of Nof Metal Coatings North America Inc.

## Hour meter kit



No.	Description	Remark	Quantity	Part number
	<b>Hour meter kit</b>		1	4700 3769 48
	Hour meter		1	4700 3856 00
	Screw	M3 x 10 mm A2-70	2	4700 9049 67
	Nut	M3 A2K	2	4700 5700 01











Any unauthorized use or copying of the contents or any part thereof is prohibited.  
This applies in particular to trademarks, model denominations, part numbers, and  
drawings.

© 2013 Atlas Copco Construction Tools AB | No. 9800 1114 01c | 2013-06-24

**Atlas Copco**

[www.atlascopco.com](http://www.atlascopco.com)